

LB6000 Transmitter Load Bank

6,000 WATT LOAD BANK



The LB6000 is a load bank that can be used for testing the output of a GGT. It can also be used to improve TEM operation when driving loops with a GGT.

FEATURES

- Four 27Ω , 1.5kW resistors
- Fuses for 1.5kW resistors, 7.5 amperes
- Two $1k\Omega$, 150W resistors
- Protective screen to prevent accidental exposure to high-voltage and high- temperature.
- Safety banana plugs to configure the resistance

SPECIFICATIONS FOR THE LB6000 LOAD BANK

Mechanical

Case size: 12 x 12 x 19" (30.8 x 30.8 x 48.3cm)

Weight: TBD

Electrical

Maximum current:

27W resistors, 7.5 amperes per resistor

1kW resistors, 150mA per resistor

See typical connections.

Input Jacks

Safety Banana Jacks

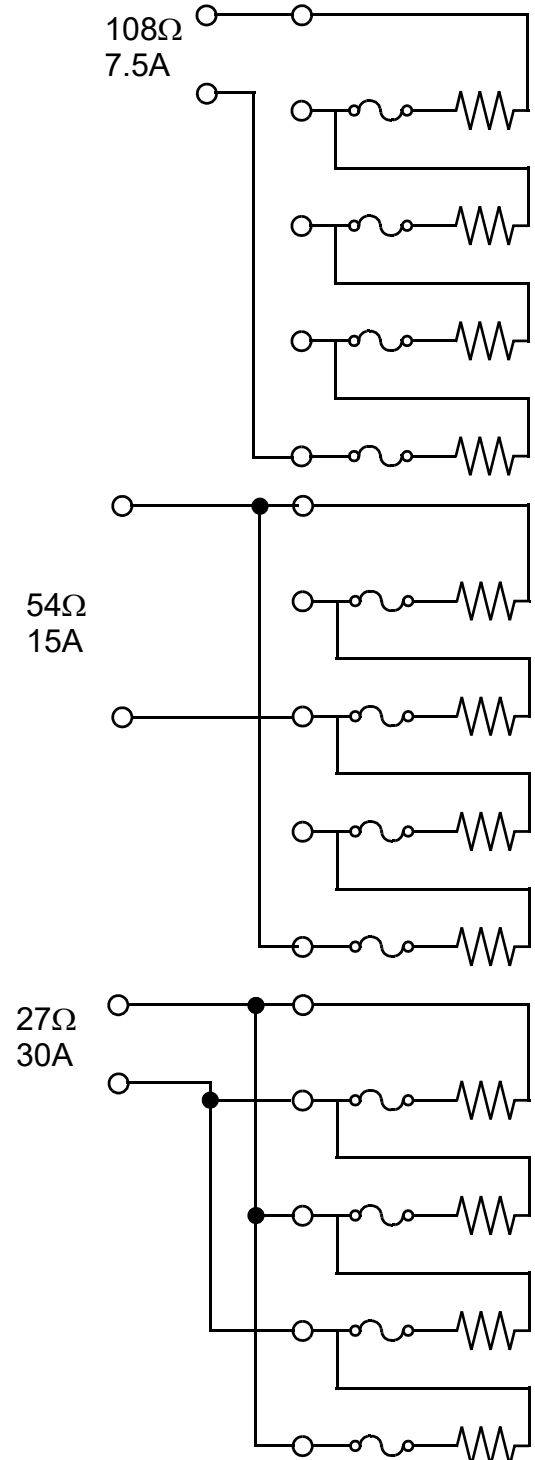
Applications

GGT transmitter testing

Loop drive turnoff time improvement

Loop drive transmitter regulation improvement

TYPICAL CONNECTIONS



Zonge International Offices:

Arizona, Alaska, Nevada

Headquarters:

3475 N. Dodge Blvd., Tucson, AZ 85716, USA (800) 523-9913

Tel: (520) 327-5501

Email: zonge@zonge.com

Fax: (520) 325-1588

Web: <http://www.zonge.com>

Specifications subject to change without notice
© Copyright 2022, Zonge International, Inc.

20220105

TRUSTED GEOPHYSICS™